

MANOR COLLECTION THREE BAR LADDER RACK

MODERN TRANSITIONAL

sales@preferredbathinc.com

www.preferredbathinc.com

(336) 904-6248



MODERN THREE BAR LADDER RACK

- MODERN STYLING
- 304 STAINLESS STEEL FULLY WELDED ASSEMBLED
- NO SET SCREWS NEEDED
- FOUR STAINLESS STEEL SCREWS AND ANCHORS INCLUDED

HARDWARE INCLUDED

- THREE BAR LADDER RACK 304 STAINLESS STEEL ASSEMBLY - 1
- STAINLESS STEEL WALL MOUNTING SCREWS - 4
- WALL ANCHORS - 4

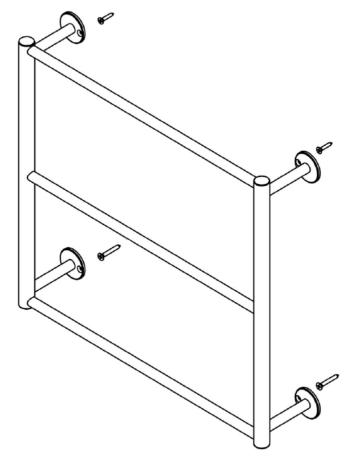
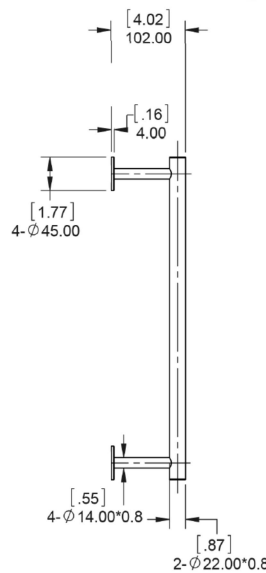
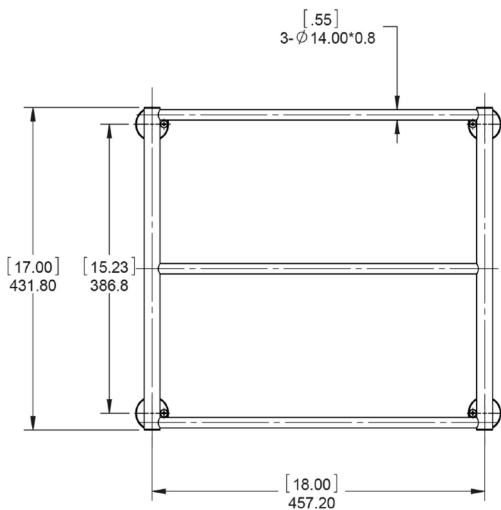
WALL MOUNTED

PART NUMBERS

3015-18-BP

FINISH

BRIGHT POLISHED



INSTALLATION:

Hold three bar ladder rack up to the wall level and mark holes. Drill holes and mount three bar ladder rack onto wall with provided screws.

WOOD BLOCKING IS THE PREFERRED METHOD OF INSTALLATION



Limited Warranty:

Preferred Bath Accessories Inc. warrants to the purchaser that the product will be free from defects in material and workmanship. If the product does not comply with this warranty, Preferred Bath Accessories Inc. will repair or replace the product or, at Preferred Bath Accessories Inc's. option, refund the purchase price. The limited warranty period is for the lifetime of the product. Limitations on the Warranty: The warranty does not cover, normal wear and tear, product abuse, neglect, improper installation or maintenance. Purchaser Requirements: If this product does not meet Preferred Bath Accessories Inc's. warranty, return the product (postage prepaid) to the place of purchase with proof of purchase and a written claim briefly describing the defect. You may be required to provide other information or evidence of the defect.